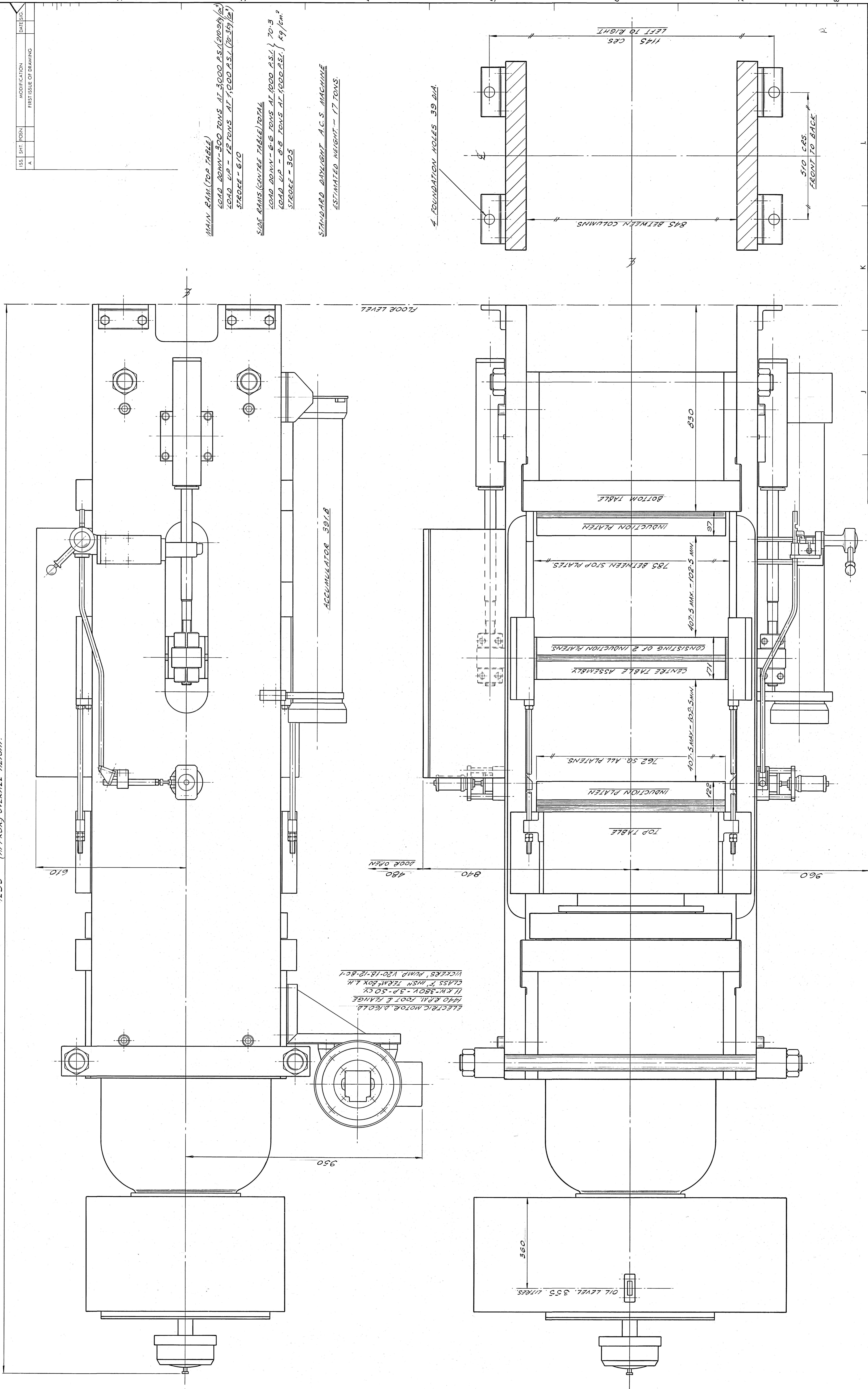


4295 (APPROX) OVERALL HEIGHT.



ISS. SHT	FOUN.	MODIFICATION	DATE	SIG.
A		FIRST ISSUE OF DRAWING		

MAIN RAM (TOP TABLE)  
 LOAD DOWN - 300 TONS AT 3000 P.S.I. (20034 kg/cm<sup>2</sup>)  
 LOAD UP - 12 TONS AT 1000 P.S.I. (70.34 kg/cm<sup>2</sup>)  
 STROKE - 610

SIDE RAMS (CENTRE TABLE) TOTAL  
 LOAD DOWN - 6 TONS AT 1000 P.S.I. (70.3 kg/cm<sup>2</sup>)  
 LOAD UP - 8.8 TONS AT 1000 P.S.I. (70.3 kg/cm<sup>2</sup>)  
 STROKE - 303

STANDARD DAYLIGHT A.C.S. MACHINE  
 ESTIMATED WEIGHT - 17 TONS.

TITLE	GENERAL ARRANGEMENT OF 300 TON. D/D COMPRESSION PRESS
MATERIAL & TREATMENT	
UNLESS OTHERWISE STATED	
SCALE IN M/M	500 TON. D/D
M/C OR PRODUCT	1/2" X 1/4"
QTY PER SET	
MACHINE AT /	
TO 0.01 C/LA	
EXCEPT WHERE INDICATED	
AS BELOW	
▽	0.01 C/LA
▽	0.02 C/LA
▽	0.04 C/LA
▽	0.08 C/LA
▽	0.15 C/LA
SIMILAR TO	
ALSO USED ON	
DRAWN	10715002100
TRACED	
CHECKED	
NO.	
DATE	
ENGINEERING DIVISION, B.I.P. LTD., STREETLY, A.O.	

10715002100 SHT. 1 OF 1 SHTS.